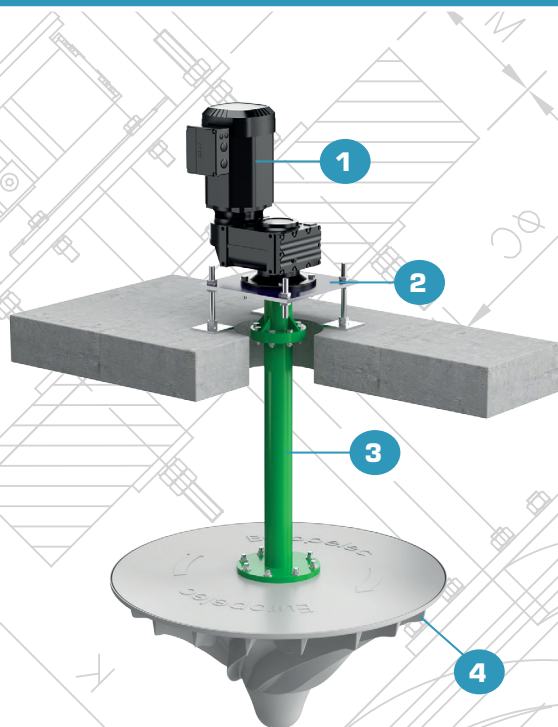


LTF LOW SPEED SURFACE AERATOR

Simultaneous fixed or floating

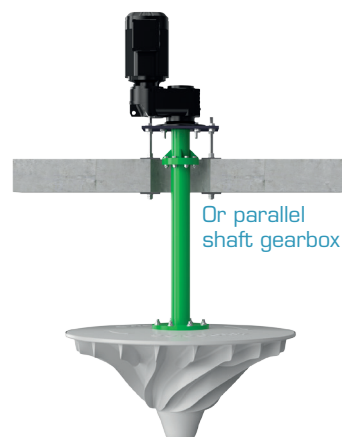
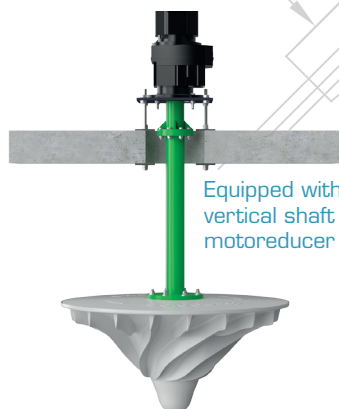


- Specifically used for simultaneous aeration and agitation of **municipal and industrial wastewater** (aerobic processes)
- **One of the highest oxygenation yields on the market** (up to 2.4 kgO₂/ kWh according to operating conditions)
- **High mixing** capacity
- **A proven design for more than 30 years** with all major water treatment companies
- **Robust and low maintenance** system
- Used in **fixed or floating position**



COMPONENTS

- 1** IP55 gear motor from 30 to 150 rpm depending on model- EUROPELEC works in partnership with leading manufacturers in the market
- 2** Adjustable support plate allowing the immersion level of the rotor and to regulate the consumed power
- 3** Shaft and sleeve in painted steel, dimensioned with a safety factor higher than 2
- 4** Self-cleaning rotor specially designed by EUROPELEC to maximise the efficiency and energy efficiency of the LTF aerator, while avoiding the adhesion of solids and webs. Made of reinforced polyester, the rotor is strengthened with a metal structure that allows rigid fixing to the gear motor shaft



LTF LOW SPEED SURFACE AERATOR

Simultaneous fixed or floating



OPTIONS AND FEATURES:

A spray cover to prevent spray and noise pollution

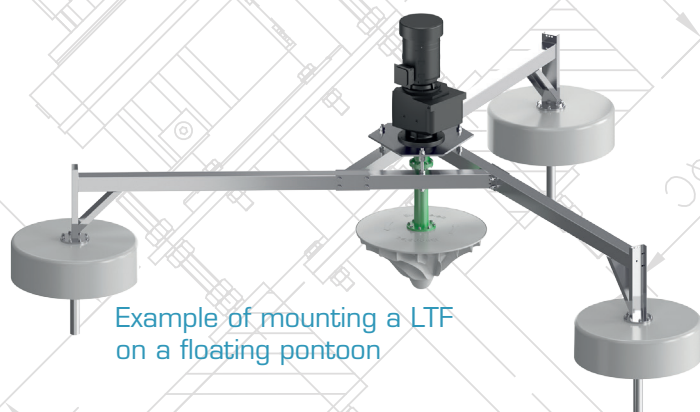
Gear motor casing

Adjustable support frame to adapt to existing civil engineering in the case of a renovation project

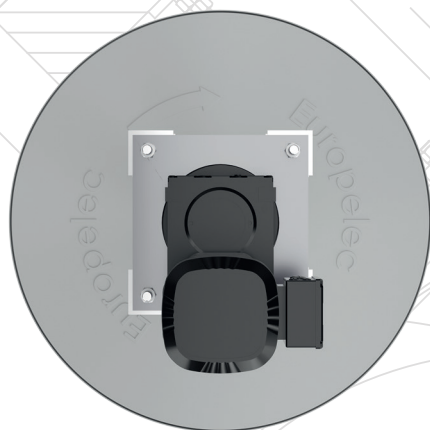
A wide range of power, from 1.5 to 160 kW (higher power levels on request)

Robustness of gear motors, designed with service factors

French design and manufacturing



Example of mounting a LTF on a floating pontoon



Power	Rotor type	Min Factor service	Min diameter of the pond (m)	Max diameter of the pond (m)	Diameter of the sphere of influence (m)	Maximum weight (kg)
1,5	RT1 ou RT2	2	5	10	30	160
2,2					32	
4					36	
5,5					45	
7,5	RT1 à RT8		7	15	45	210
9,2			8	17	48	340
11	RT3 à RT8		9	21	51	390
15			10	30	60	510
18,5	RT7 à RT12		10	30	60	690
22			11	33	70	700
30	RT11 ou RT12		11	34	75	900
37	RT13 ou RT14		12	35	75	1 230
45	RT15 à RT22		13	38	80	1 260
55			15	40	82	1 450
75	RT17 à RT27		18	45	90	1 850
90			21	50	90	2 100
110		24	60	100	2 500	