

# CURVED BAR SCREEN

Pretreatment

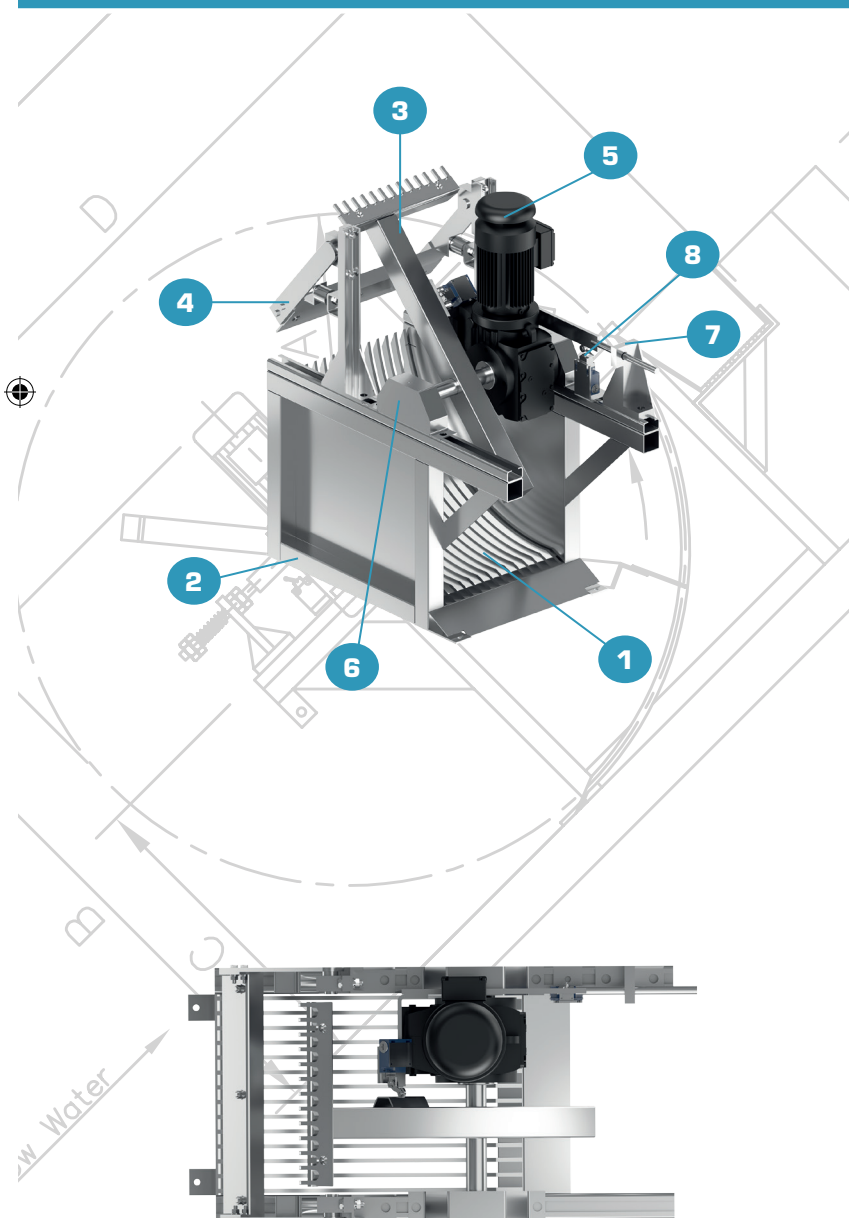


- **Screening and separation** of solid waste for municipal or industrial wastewater
- **Fully automatic** equipment
- Controlled by through **load detector or timer**
- **Delivered ready for use** (plug and play)
- **Strong and reliable** solution



## COMPONENTS

- 1** Rigid one-piece curved grid
- 2** One-piece chassis to house the components and ensure the screen sits on the concrete frame
- 3** Stainless steel arm with a comb at the end
- 4** Comb cleaning device
- 5** Waterproof and tropicalized gear motors
- 6** Alignment bearings to support and guide the rotation of the mechanism
- 7** Overload detection sensor
- 8** Electrical contacts



# CURVED BAR SCREEN

Pretreatment



## ADVANTAGES

Flow range from 0 to 800 m<sup>3</sup>/h

Fully French design and manufacturing

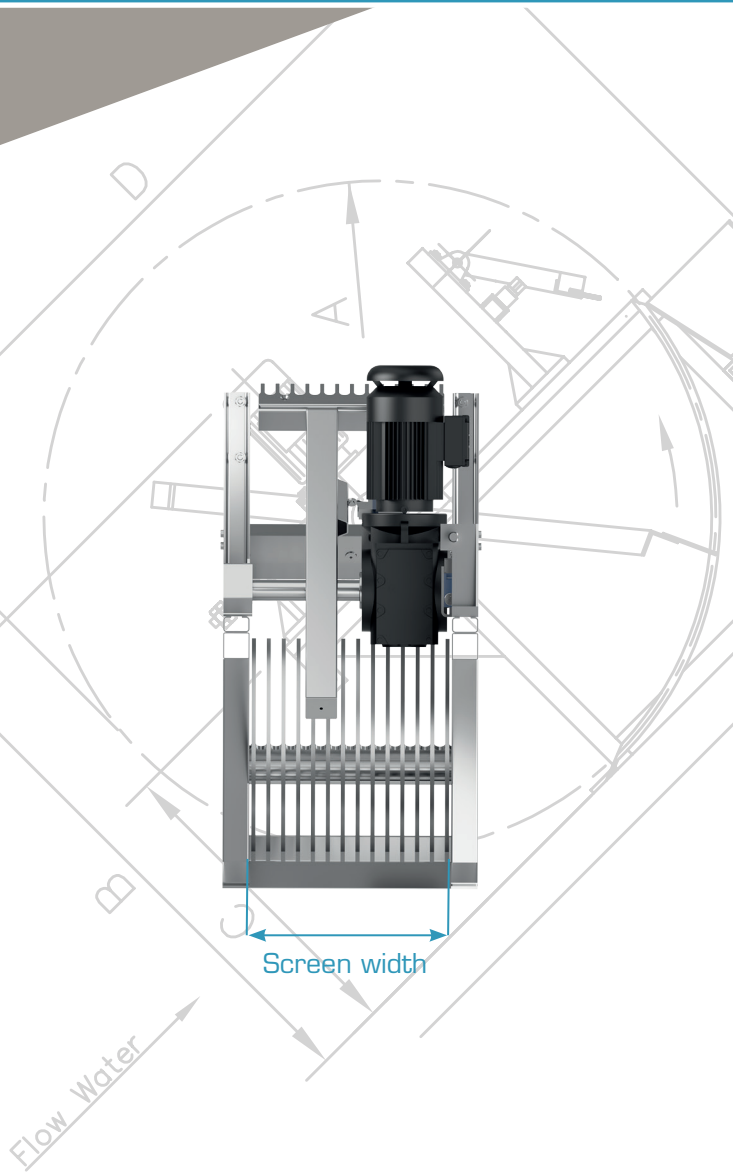
Extremely long-lasting equipment

Requires very little maintenance

Very compact, easy to install

Overload sensor stops the device in case of blockage

Supplied in galvanized steel or stainless steel



| Model of screens | Screen width (mm) | Flow range (m <sup>3</sup> /h) | Approximate weight (kg) |
|------------------|-------------------|--------------------------------|-------------------------|
| DCM 5            | 400               | 0 - 150                        | 300                     |
| DCM 6            | 500               |                                | 340                     |
| DCM 7            | 600               |                                | 370                     |
| DCM 8            | 700               | 100 - 300                      | 425                     |
| DCM 9            | 800               |                                | 470                     |
| DCM 10           | 900               | 200 - 800                      | 500                     |
| DCM 12           | 1 100             | 400 - 800                      | 575                     |